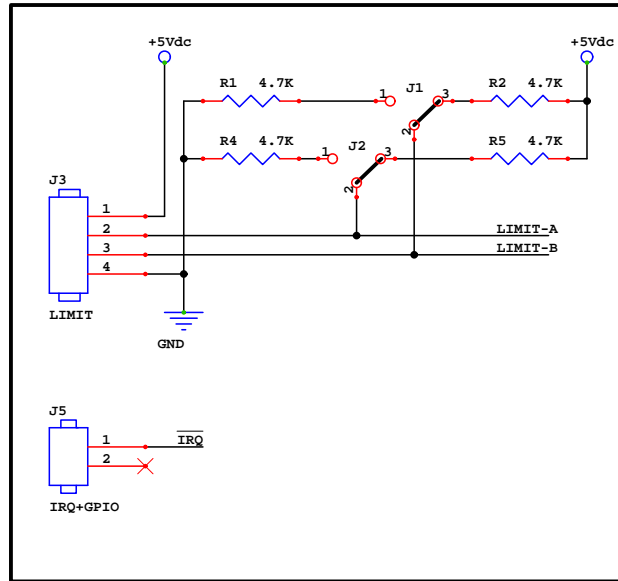
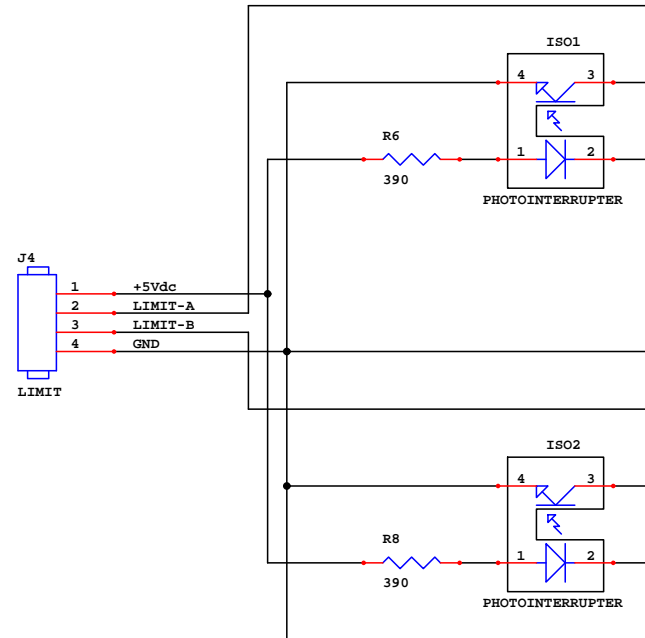


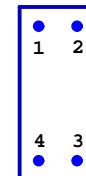
IO Board Limit & IRQ Circuitry



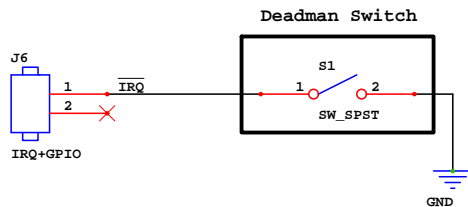
*Note: Component numbering does not conform to IO board schematic numbering



Phototransistor output, transmissive photointerrupter
 GP1S58VJ000F (Digikey # 425-1975-5-ND)



Bottom view



| | | |
|--|--------------------|------------|
| Vera Ikona | | |
| Title: Optical Limit Switches & Deadman Switch | | |
| Project: | File: Root.sch | Page: 1/1 |
| Number: | Date: Nov 11, 2011 | Rev. : 1.4 |